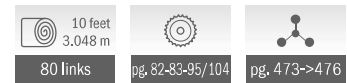
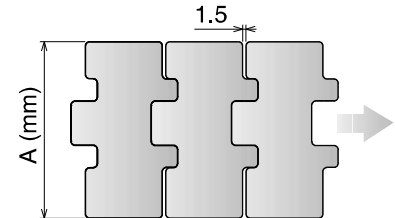
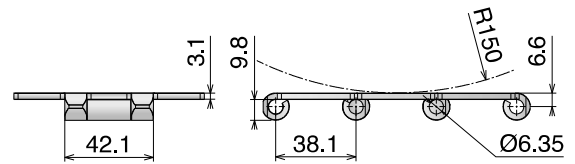


815 Catena rettilinea Straight running chain / Geradegängige Scharnierbandkette

Pins: Martensitic 1.4057 | Backflex radius min.: 150 mm



Article-Nr.	Ref.	A (Plate Width) mm	Weight kg/m	Surface finish μm	Surface Flatness mm	Polished Hinge eyes	Max working load (N)	Plate Thickness mm
SSM Max Speed - Hardened pins								
10010302	SSM 815 K325	82,5	2,55	0,2	0,08	YES	6000	3,1
10010303	SSM 815 K330	83,8	2,59	0,2	0,08	YES		

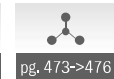
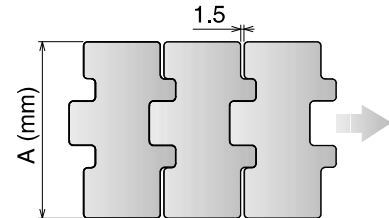
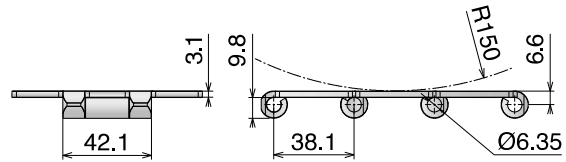
Max Speed High Performance

- Improved working load
- Minimum possible gap
- Optimum plate & hinge flatness
- Link with improved chamfer
- Total quality control
- Hardened pins
- Calibrated pin and hinge
- Polished hinges

812/815

Catena rettilinea
Straight running chain / Geradegängige Scharnierbandkette

Pins: Martensitic 1.4057 | Backflex radius min.: 150 mm



Article-Nr.	Ref.	A (Plate Width) mm	Weight kg/m	Surface finish µm	Surface Flatness mm	Polished Hinge eyes	Max working load (N)	Plate Thickness mm
-------------	------	--------------------	-------------	-------------------	---------------------	---------------------	----------------------	--------------------

SS Ferritic Stainless Steel (1.4016)

10010216	SS 812 K300	76,2	2,50	0,5	0,15	NO	5400	3,1
10010202	SS 812 K325	82,5	2,55	0,5	0,15	NO		
10010203	SS 812 K330	83,8	2,59	0,5	0,15	NO		
10010204	SS 812 K350	88,9	2,69	0,5	0,15	NO		
10010214	SS 812 K400	101,6	3,00	0,5	0,15	NO		
10010205	SS 812 K450	114,3	3,25	0,5	0,20	NO		
10010206	SS 812 K600	152,4	4,15	0,5	0,30	NO		
10010207	SS 812 K750	190,5	5,05	0,5	0,30	NO		

SSE Specially treated Ferritic Stainless Steel (1.4589) - Hardened pins

10010102	SSE 815 K325	82,5	2,55	0,3	0,10	YES	6000	3,1
10010103	SSE 815 K330	83,8	2,59	0,3	0,10	YES		
10010104	SSE 815 K350	88,9	2,69	0,3	0,15	NO		
10010114	SSE 815 K400	101,6	3,00	0,3	0,15	NO		
10010105	SSE 815 K450	114,3	3,25	0,3	0,20	NO		
10010106	SSE 815 K600	152,4	4,15	0,3	0,30	NO		
10010107	SSE 815 K750	190,5	5,05	0,3	0,30	NO		

SSA Austenitic Stainless Steel (AISI 304) - Austenitic pin

10010402	SSA 815 K325	82,5	2,55	0,5	0,15	NO	5300	3,1
10010403	SSA 815 K330	83,8	2,59	0,5	0,15	NO		
10010404	SSA 815 K350	88,9	2,69	0,5	0,15	NO		
10010405	SSA 815 K450	114,3	3,25	0,5	0,20	NO		
10010406	SSA 815 K600	152,4	4,15	0,5	0,30	NO		
10010407	SSA 815 K750	190,5	5,05	0,5	0,30	NO		

812 GT/815 GT

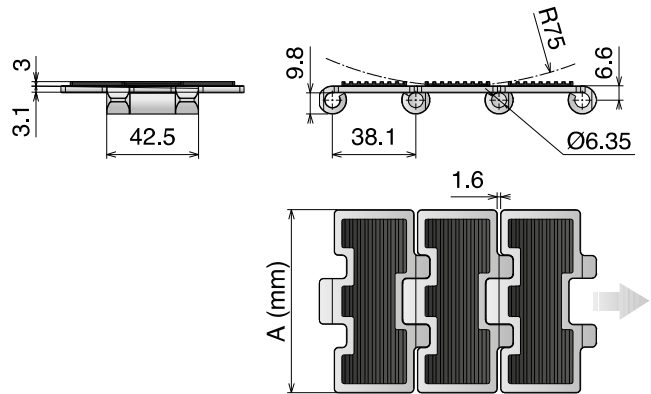
Catene in acciaio / Steel chains / Scharnierbandketten aus Edelstahl

812 GT/815 GT

Catena rettilinea
Straight running chain / Geradegängige Scharnierbandkette

Pins: Martensitic 1.4057

Backflex radius min.: 75 mm



80 links



pg. 82-83-95/104



pg. 473->476

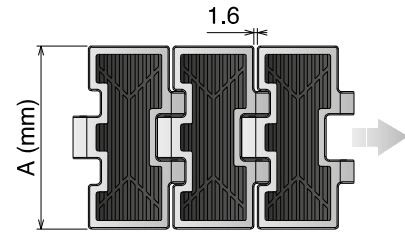
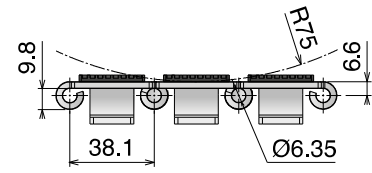
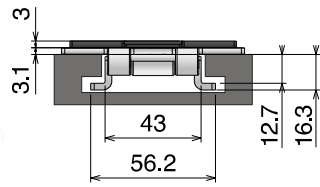
Article-Nr.	Ref.	A (Plate Width) mm	Weight kg/m	Max working load (N)	Plate/Rubber Thickness mm
SS Ferritic Stainless Steel (1.4016)					
10020202	SS 812 GT K325	82,5	2,80	5400	Plate 3,1 Rubber 3
SSE Specially treated Ferritic Stainless Steel (1.4589) - Hardened pins					
10020102	SSE 815 GT K325	82,5	2,80	6000	Plate 3,1 Rubber 3
10020105	SSE 815 GT K450	114,3	3,55		
10020107	SSE 815 GT K750	190,5	5,55		

815 TAB GT

Catena rettilinea
Straight running chain / Geradegängige Scharnierbandkette

Pins: Martensitic 1.4057

Backflex radius min.: 75 mm



Tab System

10 feet
3.048 m

80 links

pg. 82-83-95/104

pg. 473->476

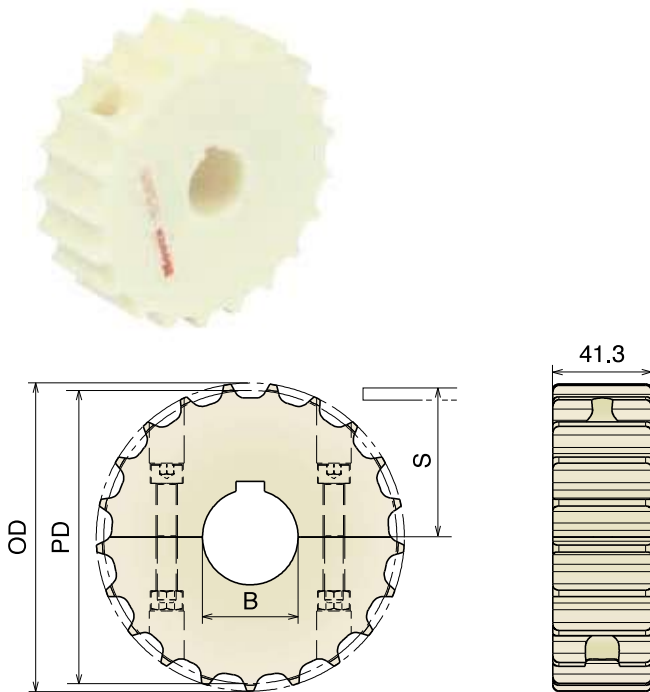
Article-Nr.	Ref.	A (Plate Width) mm	Weight kg/m	Max working load (N)	Plate/Rubber Thickness mm
SSE Specially treated Ferritic Stainless Steel (1.4589) - Hardened pins					
10200102	SSE 815 TAB GT K325	82,5	3,40	6000	Plate 3,1 Rubber 3

815

Ruota traino divisa, fresata

Split drive sprocket, machined / geteiltes Antriebskettenrad gefräst

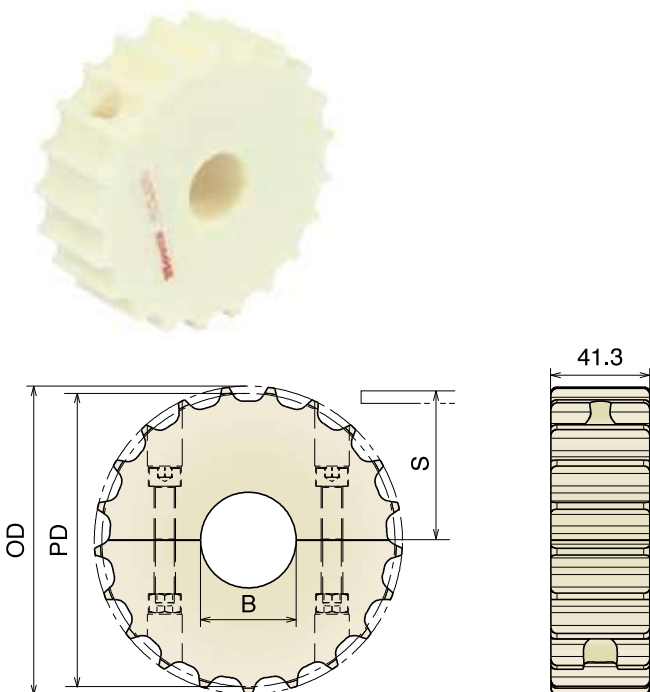
Used also for Series 881 M



Part	Article-Nr.	Z-	Bore	PD	OD	S
501	50101	17	25	105,5	103,9	55,9
501	50102		30			
501	50103		35			
501	50104		40			
502	50201	19	25	117,3	117,0	61,9
502	50202		30			
502	50203		35			
502	50204		40			
503	50301	21	25	129,3	129,0	67,8
503	50302		30			
503	50303		35			
503	50304		40			
504	50401	23	25	141,2	142,0	73,8
504	50402		30			
504	50403		35			
504	50404		40			
505	50501	25	25	153,2	154,0	79,8
505	50502		30			
505	50503		35			
505	50504		40			
506	50601	27	25	165,2	166,8	85,8
506	50602		30			
506	50603		35			
506	50604		40			
507	50701	29	25	177,2	178,5	91,8
507	50702		30			
507	50703		35			
507	50704		40			

Ruota rinvio divisa, fresata

Split idler sprocket, machined / geteiltes Umlenkrad, gefräst



Part	Article-Nr.	Z-	Bore	PD	OD	S
501	50150	17	18*	105,5	103,9	55,9
501	50151		25			
501	50152		30			
501	50153		35			
501	50154		40			
502	50250	19	18*	117,3	117,0	61,9
502	50251		25			
502	50252		30			
502	50253		35			
502	50254		40			
503	50350	21	18*	129,3	129,0	67,8
503	50351		25			
503	50352		30			
503	50353		35			
503	50354		40			
504	50450	23	18*	141,2	142,0	73,8
504	50451		25			
504	50452		30			
504	50453		35			
504	50454		40			
505	50550	25	18*	153,2	154,0	79,8
505	50551		25			
505	50552		30			
505	50553		35			
505	50554		40			
506	50650	27	18*	165,2	166,8	85,8
506	50651		25			
506	50652		30			
506	50653		35			
506	50654		40			
507	50750	29	18*	177,2	178,5	91,8
507	50751		25			
507	50752		30			
507	50753		35			
507	50754		40			

*Plain Bore

Materiale / Material / Materialien:

Poliamide rinforzato / Polyamide reinforced / Verstärktes Polyamid

Viti: Acciaio inox / Screws: Stainless steel / Schrauben: Edelstahl

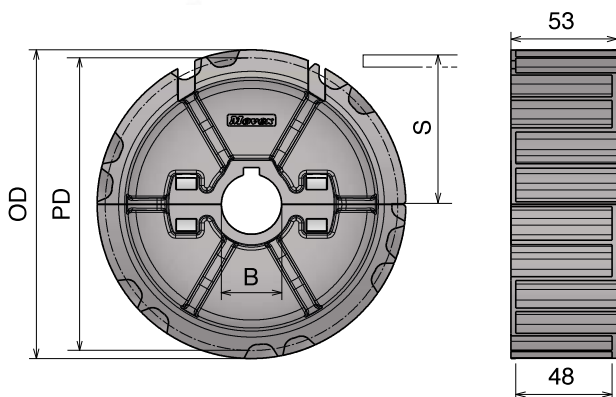
Dadi: Ottone nichelato / Nuts: Nickel plated brass / Mutter: Messing

815

Ruota traino divisa, stampata

Split drive sprocket, molded / geteiltes Antriebskettenrad, gespritzt

Used also for Series 881 M

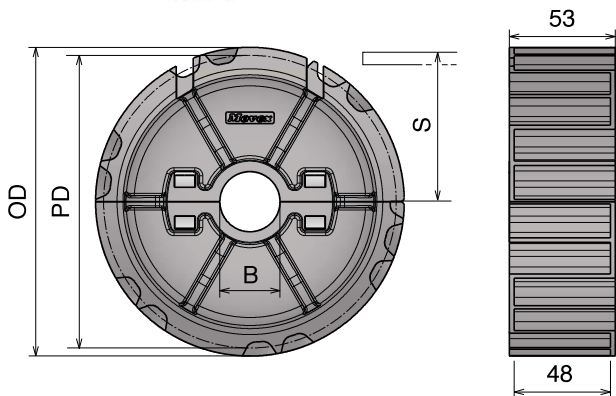


Part	Article-Nr.	Z-	Bore	PD	OD	S
508	50801	21	25	129,3	129,0	67,8
508	50802		30			
508	50803		35			
508	50804		40			
509	50901	23	25	141,2	142,0	73,8
509	50902		30			
509	50903		35			
509	50904		40			
510	51001	25	25	153,2	154,0	79,8
510	51002		30			
510	51003		35			
510	51004		40			

Improved Design and Performance

Ruota rinvio divisa, stampata

Split idler sprocket, molded / geteiltes Umlenkrad, gespritzt



Part	Article-Nr.	Z-	Bore	PD	OD	S
508	50851	21	25	129,3	129,0	67,8
508	50852		30			
508	50853		35			
508	50854		40			
509	50951	23	25	141,2	142,0	73,8
509	50952		30			
509	50953		35			
509	50954		40			
510	51051	25	25	153,2	154,0	79,8
510	51052		30			
510	51053		35			
510	51054		40			


Improved Design and Performance

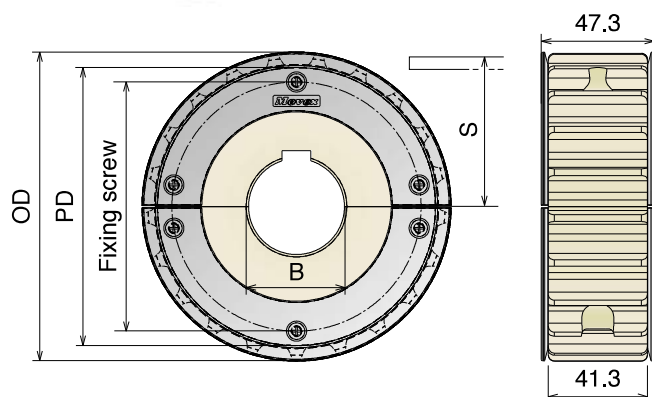
Materiale / Material / Materialien:
 Poliammide/Polyamide/Polyamid
 Viti: Acciaio inox/Screws: Stainless steel/Schrauben: Edelstahl
 Dadi: ferro zincato/Nuts: zinc plated steel/Mutter: verzinkter Stahl

815-8157


Ruote dentate per catene / Chain sprockets / Kettenräder für Scharnierbandketten

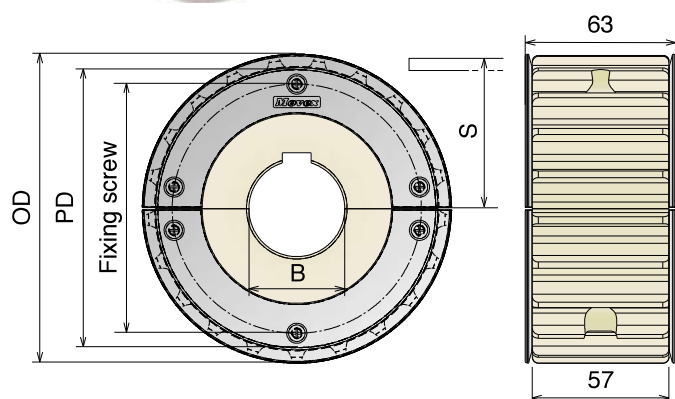
815 Ruota flangiata divisa, fresata Split sprocket with guides, machined / Geteiltes Kettenrad mit Bordscheibe, gefräst

Anelli Inox / SS Guide-rings / Edelstahl Bordscheibe		Part	Article-Nr.	Z-	Bore	PD	OD	S	Ø screw
	503	50301G		21	25	129,3	129,0	67,8	104,0
	503	50302G			30				
	503	50303G			35				
	503	50304G			40				
	504	50401G		23	25	141,2	142,0	73,8	116,0
	504	50402G			30				
	504	50403G			35				
	504	50404G			40				
	505	50501G		25	25	153,2	154,0	79,8	128,0
	505	50502G			30				
	505	50503G			35				
	505	50504G			40				



8157 Ruota flangiata divisa, fresata Split sprocket with guides, machined / Geteiltes Kettenrad mit Bordscheibe, gefräst

Anelli Inox / SS Guide-rings / Edelstahl Bordscheibe		Part	Article-Nr.	Z-	Bore	PD	OD	S	Ø screw
	530	53001G		21	25	129,3	129,0	67,8	104,0
	530	53002G			30				
	530	53003G			35				
	530	53004G			40				
	531	53101G		23	25	141,2	142,0	73,8	116,0
	531	53102G			30				
	531	53103G			35				
	531	53104G			40				
	532	53201G		25	25	153,2	154,0	79,8	128,0
	532	53202G			30				
	532	53203G			35				
	532	53204G			40				



Materiale / Material / Materialien:

Poliammide / Polyamide / Polyamid

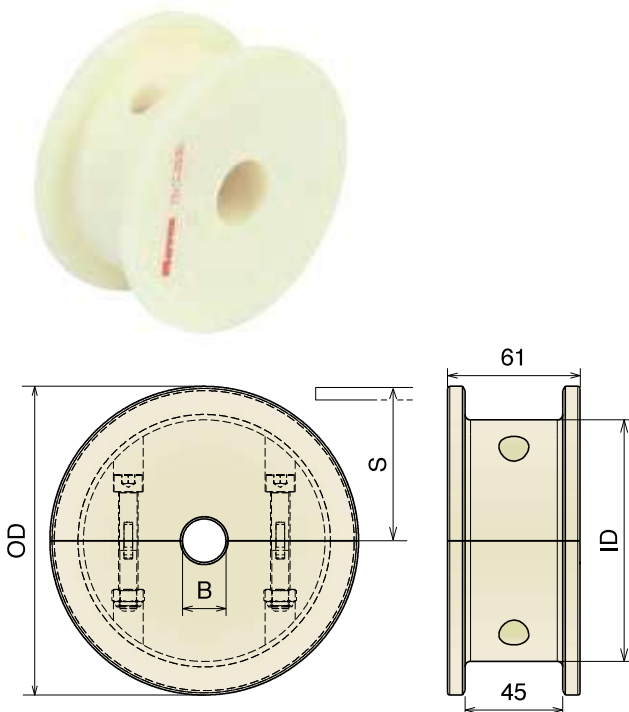
Viti: Acciaio inox / Screws: Stainless steel / Schrauben: Edelstahl

Dadi: ferro zincato / Nuts: zinc plated steel / Mutter: verzinkter Stahl

Dadi: ottone nichelato per stampate / Nuts: nickel plated brass for molded / Mutter: Messing vernickelt für gespritzt Version

815 Ruota rinvio liscia, divisa, fresata Split idler wheel, machined / geteilte Umlenkrolle, gefräst

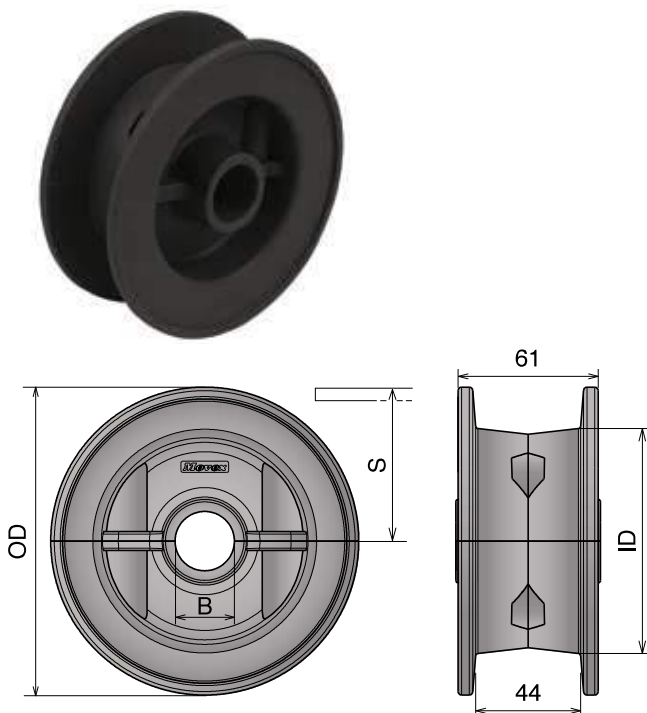
Also suitable for Series 881 M - 820 - 831 - 828 - 879 M - 880 M



Part	Article-Nr.	ecq. Z-	Bore	OD	ID	S
601	60100	17	20	104,0	75,2	56,2
601	60101		25			
601	60102		30			
601	60103		35			
601	60104		40			
602	60200	19	20	117,0	92,2	62,6
602	60201		25			
602	60202		30			
602	60203		35			
602	60204		40			
603	60300	21	20	129,8	105,0	68,6
603	60301		25			
603	60302		30			
603	60303		35			
603	60304		40			
604	60400	23	20	142,2	111,3	74,6
604	60401		25			
604	60402		30			
604	60403		35			
604	60404		40			
605	60500	25	20	154,7	124,7	80,5
605	60501		25			
605	60502		30			
605	60503		35			
605	60504		40			
606	60600	27	20	167,2	135,0	88,5
606	60601		25			
606	60602		30			
606	60603		35			
606	60604		40			
607	60700	29	20	179,3	140,0	92,8
607	60701		25			
607	60702		30			
607	60703		35			
607	60704		40			

815 Ruota rinvio liscia, divisa, stampata Split idler wheel, molded / geteilte Umlenkrolle, gespritzt

Also suitable for Series 881 M - 820 - 831 - 828 - 879 M - 880 - 880 M



Part	Article-Nr.	ecq. Z-	Bore	OD	ID	S
608	60801	21	25	129,8	94,8	68,6
608	60802		30			
608	60803		35			
608	60804		40			
609	60901	23	25	142,2	99,3	74,6
609	60902		30			
609	60903		35			
609	60904		40			
610	61001	25	25	154,7	102,0	80,5
610	61002		30			
610	61003		35			
610	61004		40			

Material Chemical Resistances

Chemical Agent up to 65°C	Polyamide	Steel	Stainless Steel Aisi 304	Stainless Steel Aisi 430	LF	MX	UHMW PE	PP/PPX
Acetone	G	U	G	G	G	A	G	G
Acetic acid (max 5%)	U	U	G	U	U	G	G	G
Alcohol	G	G	G	G	G	G	G	G
Ammonia	G	A	G	G	U	A	G	G
Beer	G	G	G	G	G	G	G	G
Benzene	G	G	G	G	G	U	A	G
Benzol	G	G	G	G	G	G	G	A
Carbon tetrachloride	G	A	A	A	G	/	A	U
Chocolat	A	G	G	G	G	G	A	G
Citric acid	A	U	G	A	A	G	G	G
Formic acid	U	G	G	G	G	A	G	/
Fresh water	G	U	G	G	G	G	G	G
Fruit juices	G	U	G	A	G	G	G	G
Hydrochloric acid (max 2%)	U	U	U	U	U	A	A	G
Hydrogen peroxide	U	U	G	A	U	/	A	/
Iodine	U	A	A	A	A	/	A	/
Lactic acid	G	U	G	U	G	G	G	G
Milk	G	G	G	G	G	G	G	G
Mustard	A	G	G	G	A	/	A	G
Nitric acid	U	U	G	A	U	U	A	G
Oil (vegetable or mineral)	G	G	G	G	G	U	G	G
Paraffin	G	G	G	G	G	G	G	/
Petrol	G	G	G	G	G	G	A	G
Phosphoric acid (max 10%)	U	U	G	U	U	U	G	G
Sea water	U	A	G	A	G	G	G	G
Soap and water	G	A	G	G	G	G	G	G
Sodium hydrochloride	G	U	A	U	G	A	G	G
Sodium hydroxide (max 25%)	G	U	G	G	U	U	G	/
Sodium hypochlorite	G	U	U	U	U	A	G	G
Soft Drinks	G	G	G	G	G	G	G	G
Spirits	G	G	G	G	G	G	G	G
Sulphide acid	U	U	U	U	U	G	U	G
Toluene	U	U	U	U	G	G	A	G
Turpentine	U	G	G	G	U	G	A	/
Vegetable juices	G	A	G	G	G	G	G	G
Vinegar	G	U	A	U	G	G	G	G
Whisky	G	G	G	G	G	G	G	G
Wine	G	G	G	G	G	G	G	G
Xilol	U	U	U	U	U	G	U	U

LEGENDA

G: Good / A: Average / U: Unsatisfactory

SS



Materials

Description

Ferritic Stainless Steel (1.4016)
for standard applications.

General information

Material abbreviation	Material	Chemical abbreviation	Allowable application temperatures						FDA Approval
			Fahrenheit			Celsius			
			Min	Max		Min	Max		
				Dry	Wet		Dry	Wet	
SS	Standard Stainless Steel	1.4016	-22	750	265	-30	400	130	-

Friction Factors Between Material and Product

Lubrication	Product Material					
	Paper & carton	Metal (steel)	Aluminium	Plastics & PET	Glass (returnable)	Glass (new)
Dry	0,40	0,50	0,35	0,30	0,47	0,35
Water	n.a.	0,35	0,30	0,25	0,31	0,30
W&s & Dry lube	n.a.	0,20	0,15	0,15	0,21	0,15
Oil	n.a.	0,20	n.a.	n.a.	n.a.	n.a.

Friction Factors Between Material and Product

Lubrication	Wearstrip Material		
	Stainless steel	UHMW-PE & PA	<i>BluLub</i> ®
Dry	n.a.	0,35	0,32
Water	0,40	0,27	0,24
W&s & Dry lube	0,20	0,18	0,15
Oil	0,20	0,18	0,15

Note

Material properties and performance of final product are subject to variation according to operating conditions, e.g. environmental conditions, chemicals, cleanliness.

SSE



Materials

Description

Specially treated Ferritic Stainless Steel (1.4589)
for improved working-load and less friction.

General information

Material abbreviation	Material	Chemical abbreviation	Allowable application temperatures						FDA Approval
			Fahrenheit			Celsius			
			Min	Max		Min	Max		
				Dry	Wet		Dry	Wet	
SSE	Special Stainless Steel	1.4589	-22	750	265	-30	400	130	-

Friction Factors Between Material and Product

Lubrication	Product Material					
	Paper & carton	Metal (steel)	Aluminium	Plastics & PET	Glass (returnable)	Glass (new)
Dry	0,38	0,48	0,33	0,29	0,45	0,33
Water	n.a.	0,33	0,29	0,24	0,29	0,29
W&s & Dry lube	n.a.	0,19	0,14	0,14	0,20	0,14
Oil	n.a.	0,19	n.a.	n.a.	n.a.	n.a.

Friction Factors Between Material and Product

Lubrication	Wearstrip Material		
	Stainless steel	UHMW-PE & PA	<i>BluLub</i> ®
Dry	n.a.	0,33	0,30
Water	0,38	0,26	0,23
W&s & Dry lube	0,19	0,17	0,14
Oil	0,19	0,17	0,14

Note

Material properties and performance of final product are subject to variation according to operating conditions, e.g. environmental conditions, chemicals, cleanliness.

SSM



Materials

Description**Specially treated Ferritic SS (1.4589)**

with optimized surface finish for superior sliding properties. For High-Speed and more critical applications.

General information

Material abbreviation	Material	Chemical abbreviation	Allowable application temperatures						FDA Approval
			Fahrenheit			Celsius			
			Min	Max		Min	Max		
				Dry	Wet		Dry	Wet	
SSM	Max Speed Stainless Steel	1.4589	-22	750	265	-30	400	130	-

Friction Factors Between Material and Product

Lubrication	Product Material					
	Paper & carton	Metal (steel)	Aluminium	Plastics & PET	Glass (returnable)	Glass (new)
Dry	0,34	0,43	0,30	0,26	0,40	0,30
Water	n.a.	0,30	0,26	0,21	0,26	0,26
W&s & Dry lube	n.a.	0,17	0,13	0,13	0,18	0,13
Oil	n.a.	0,17	n.a.	n.a.	n.a.	n.a.

Friction Factors Between Material and Product

Lubrication	Wearstrip Material		
	Stainless steel	UHMW-PE & PA	<i>BluLub</i> [®]
Dry	n.a.	0,32	0,29
Water	0,36	0,24	0,22
W&s & Dry lube	0,18	0,16	0,14
Oil	0,18	0,16	0,14

Note

Material properties and performance of final product are subject to variation according to operating conditions, e.g. environmental conditions, chemicals, cleanliness.

SSA



Materials

Description

Austenitic Stainless Steel with high resistance to corrosion and acid (AISI 304) for improved working-load and less friction.

General information

Material abbreviation	Material	Chemical abbreviation	Allowable application temperatures						FDA Approval
			Fahrenheit			Celsius			
			Min	Max		Min	Max		
				Dry	Wet		Dry	Wet	
SSA	Austenitic Stainless Steel	AISI 304	-22	750	265	-30	400	130	-

Friction Factors Between Material and Product

Lubrication	Product Material					
	Paper & carton	Metal (steel)	Aluminium	Plastics & PET	Glass (returnable)	Glass (new)
Dry	0,43	0,38	0,34	0,30	0,33	0,33
Water	n.a.	0,30	0,27	0,21	0,29	0,29
W&s & Dry lube	n.a.	0,15	0,14	0,14	0,15	0,15
Oil	n.a.	n.a.	n.a.	n.a.	n.a.	n.a.

Friction Factors Between Material and Product

Lubrication	Wearstrip Material		
	Stainless steel	UHMW-PE & PA	BluLub®
Dry	0,40	0,30	0,30
Water	0,35	0,22	0,22
W&s & Dry lube	0,15	0,15	0,15
Oil	0,15	0,10	0,10

Note

Material properties and performance of final product are subject to variation according to operating conditions, e.g. environmental conditions, chemicals, cleanliness.