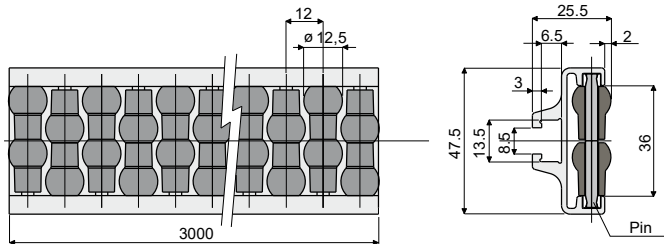


# Product guides and accessories

## Part. 306 Roller side guide (single type, with pearls)



Pins made of acetal	Pins made of stainless steel AISI 304
Code	Code
306 / 82809	306 / 84548

**NEW**

**MATERIALS:** Metal profile in anodized aluminium; rollers in grey polyamide; support pins in white acetal or in stainless steel AISI 304.

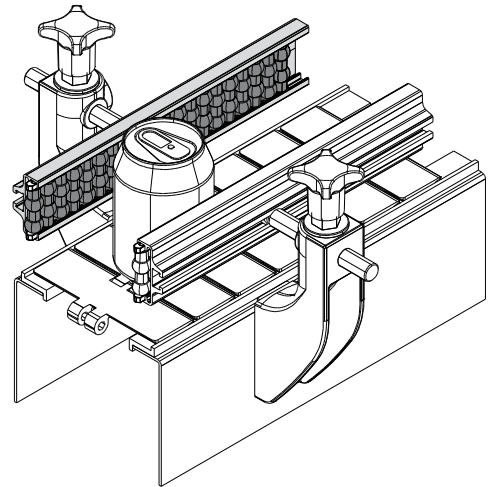
**FEATURES:** Supplied already assembled, in bars of 3 meters length.  
Min. curvature radius: 250 mm.

**BOX QUANTITY:** 2 bars of 3 meters (total 6 meters).

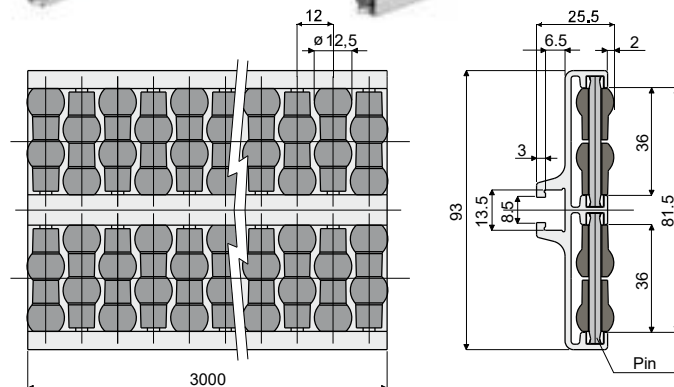
**ON REQUEST:**

- Roller side guide: Other colours.

Example of application



## Part. 307 Roller side guide (double type, with pearls)



Pins made of acetal	Pins made of stainless steel AISI 304
Code	Code
307 / 82810	307 / 84549

**NEW**

**MATERIALS:** Metal profile in anodized aluminium; rollers in grey polyamide; support pins in white acetal or in stainless steel AISI 304.

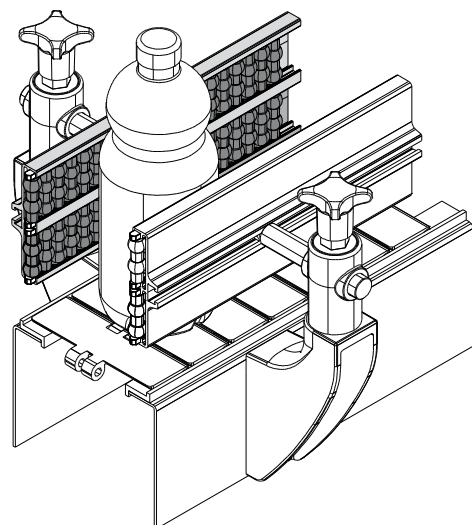
**FEATURES:** Supplied already assembled, in bars of 3 meters length.  
Min. curvature radius: 500 mm.

**BOX QUANTITY:** 2 bars of 3 meters (total 6 meters).

**ON REQUEST:**

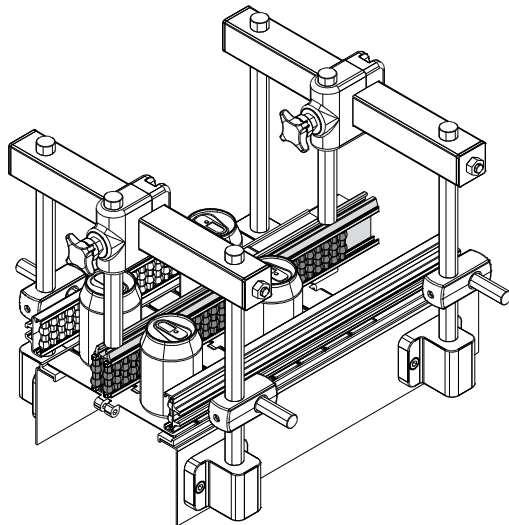
- Roller side guide: Other colours.

Example of application



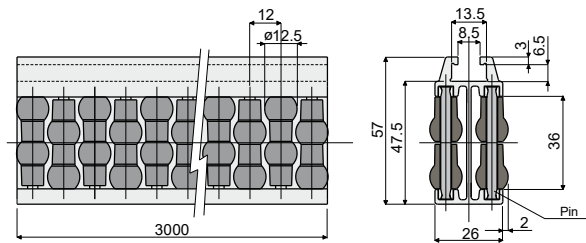
# Product guides and accessories

Example of application



## Roller central guide (single type, with pearls)

Part. **308**



Pins made of acetal	Pins made of stainless steel AISI 304
Code	Code
308 / 82811	308 / 84550

**NEW**

**MATERIALS:** Metal profile in anodized aluminium; rollers in grey polyamide; support pins in white acetal or in stainless steel AISI 304.

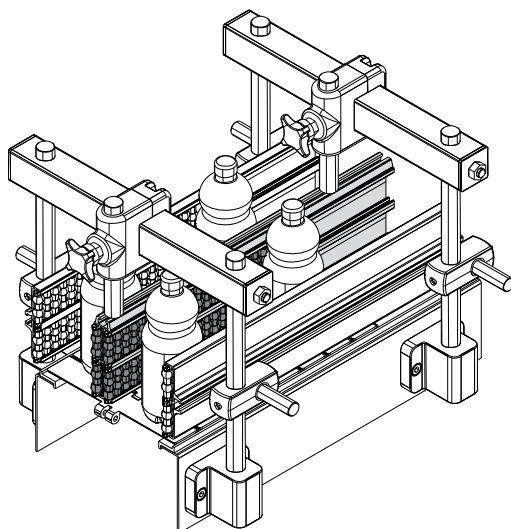
**FEATURES:** Supplied already assembled, in bars of 3 meters length.  
Min. curvature radius: 500 mm.

**BOX QUANTITY:** 2 bars of 3 meters (total 6 meters).

**ON REQUEST:**

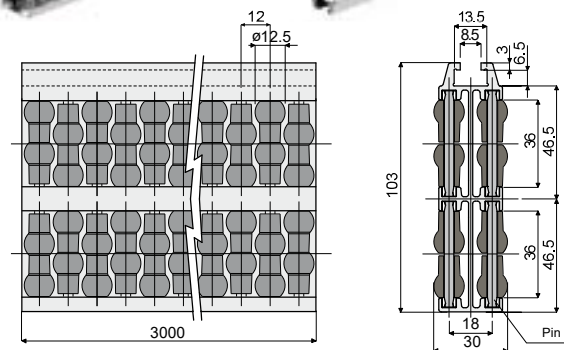
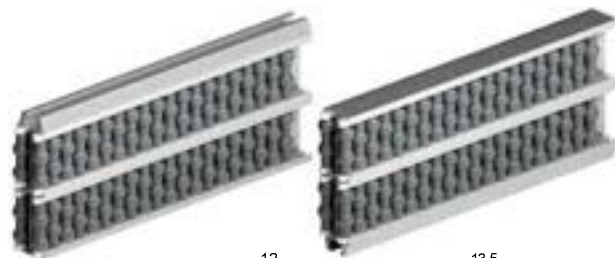
- Roller central guide: Other colours.

Example of application



## Roller central guide (double type, with pearls)

Part. **319**



Pins made of acetal	Pins made of stainless steel AISI 304
Code	Code
319 / 82916	319 / 84551

**NEW**

**MATERIALS:** Metal profile in anodized aluminium; rollers in grey polyamide; support pins in white acetal or in stainless steel AISI 304.

**FEATURES:** Supplied already assembled, in bars of 3 meters length.  
Min. curvature radius: 750 mm.

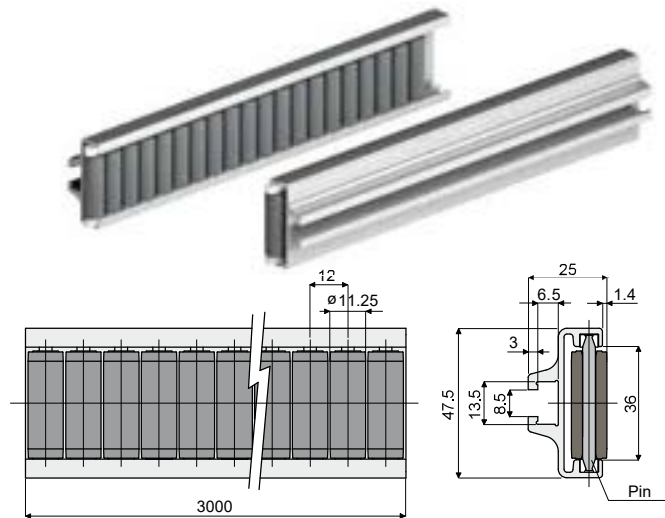
**BOX QUANTITY:** 2 bars of 3 meters (total 6 meters).

**ON REQUEST:**

- Roller central guide: Other colours.

# Product guides and accessories

## Part. 325 Roller side guide (single type, with cylinders)



Pins made of acetal	Pins made of stainless steel AISI 304
Code	Code
325 / 83003	325 / 84552

**NEW**

**MATERIALS:** Metal profile in anodized aluminium; rollers in grey polyamide; support pins in white acetal or in stainless steel AISI 304.

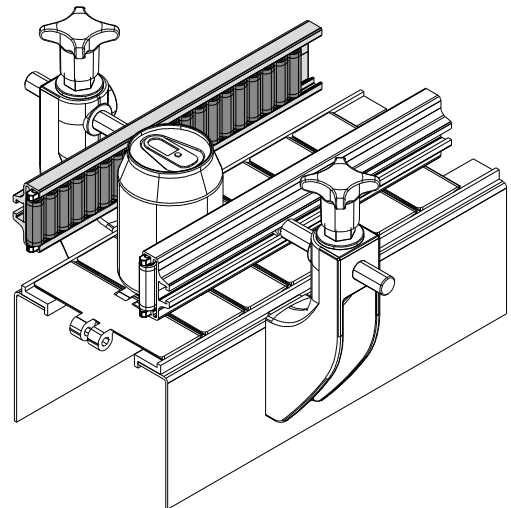
**FEATURES:** Supplied already assembled, in bars of 3 meters length.  
Min. curvature radius: 250 mm.

**BOX QUANTITY:** 2 bars of 3 meters (total 6 meters).

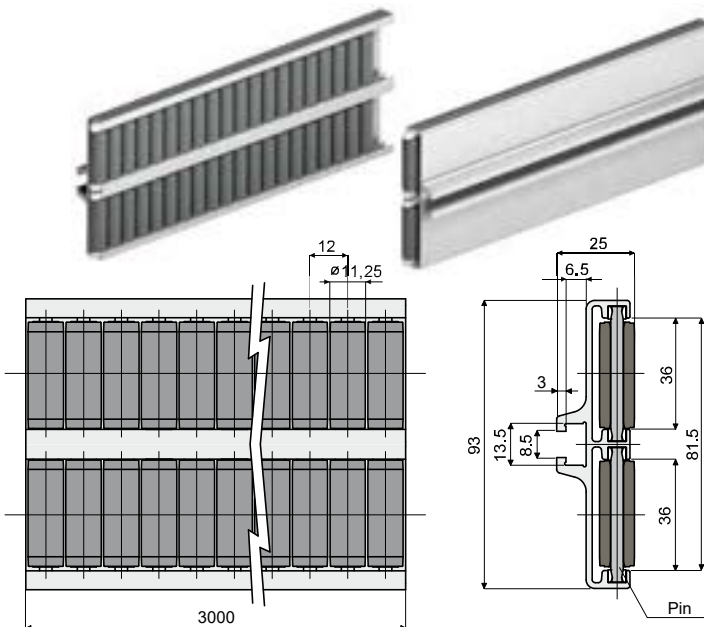
**ON REQUEST:**

- Roller side guide: Other colours.

Example of application



## Part. 326 Roller side guide (double type, with cylinders)



Pins made of acetal	Pins made of stainless steel AISI 304
Code	Code
326 / 83004	326 / 84553

**NEW**

**MATERIALS:** Metal profile in anodized aluminium; rollers in grey polyamide; support pins in white acetal or in stainless steel AISI 304.

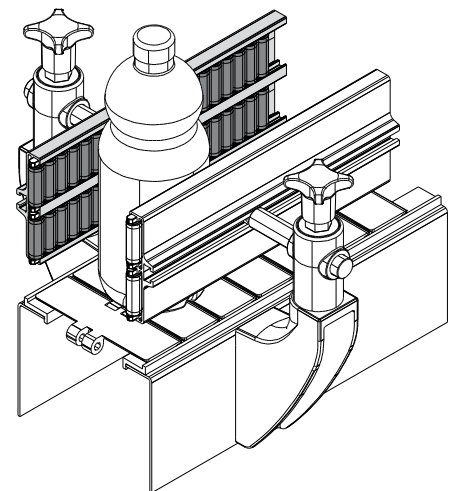
**FEATURES:** Supplied already assembled, in bars of 3 meters length.  
Min. curvature radius: 500 mm.

**BOX QUANTITY:** 2 bars of 3 meters (total 6 meters).

**ON REQUEST:**

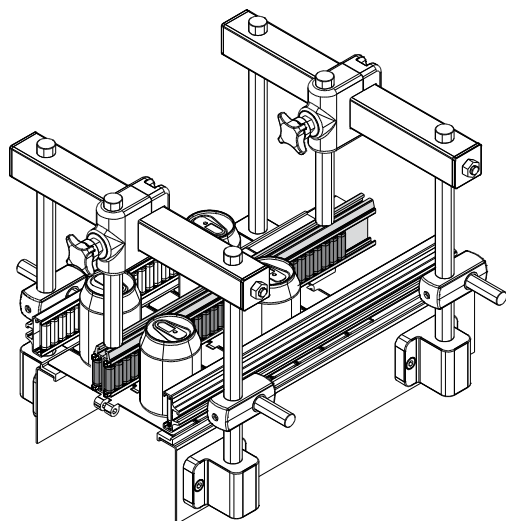
- Roller side guide: Other colours.

Example of application



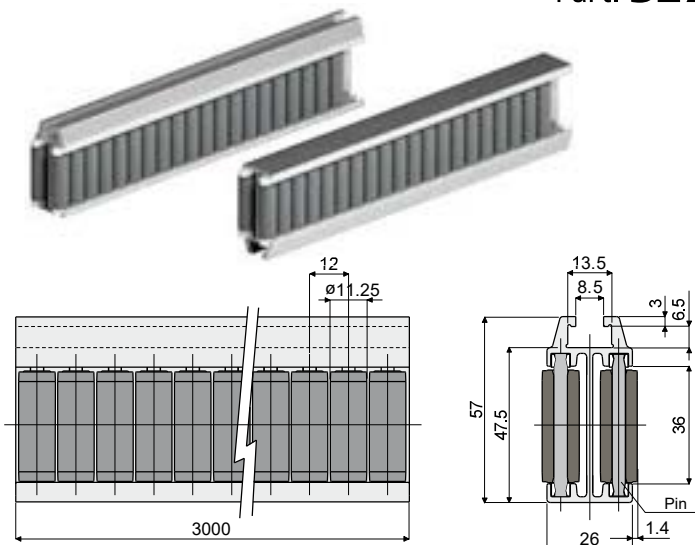
# Product guides and accessories

Example of application



## Roller central guide (single type, with cylinders)

Part. **327**



Pins made of acetal	Pins made of stainless steel AISI 304
Code	Code
327 / 83005	327 / 84555

**NEW**

**MATERIALS:** Metal profile in anodized aluminium; rollers in grey polyamide; support pins in white acetal or in stainless steel AISI 304.

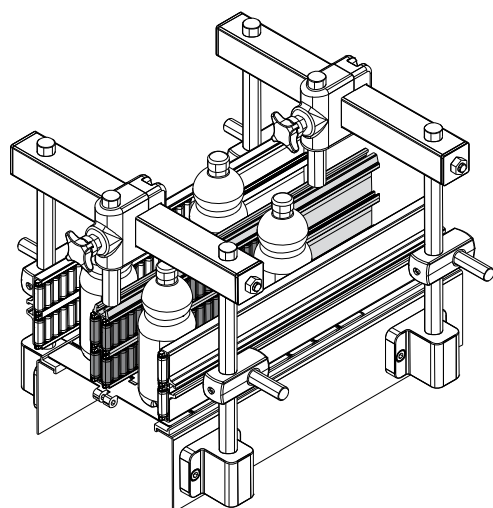
**FEATURES:** Supplied already assembled, in bars of 3 meters length.  
Min. curvature radius: 500 mm.

**BOX QUANTITY:** 2 bars of 3 meters (total 6 meters).

**ON REQUEST:**

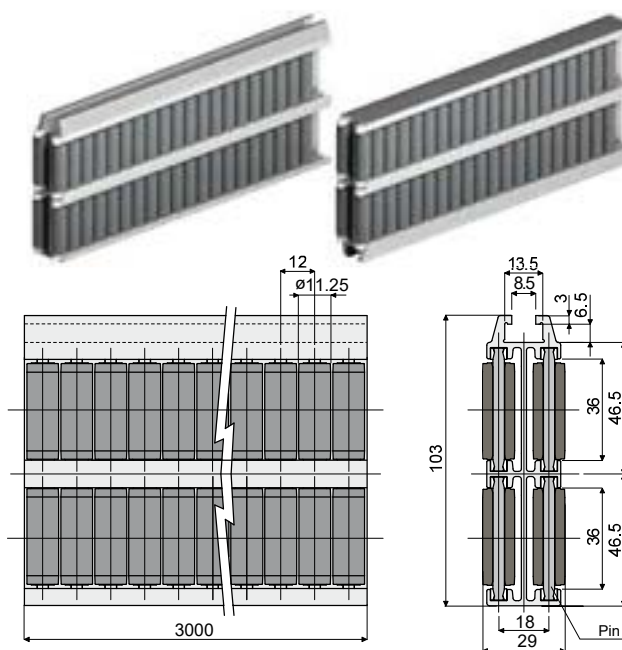
- Roller central guide: Other colours.

Example of application



## Roller central guide (double type, with cylinders)

Part. **328**



Pins made of acetal	Pins made of stainless steel AISI 304
Code	Code
328 / 83006	328 / 84556

**NEW**

**MATERIALS:** Metal profile in anodized aluminium; rollers in grey polyamide; support pins in white acetal or in stainless steel AISI 304.

**FEATURES:** Supplied already assembled, in bars of 3 meters length.  
Min. curvature radius: 750 mm.

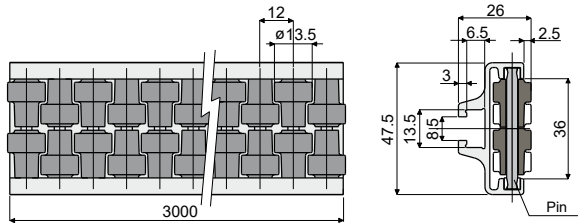
**BOX QUANTITY:** 2 bars of 3 meters (total 6 meters).

**ON REQUEST:**

- Roller central guide: Other colours.

# Product guides and accessories

## Part. 355 Roller side guide (single type, with round rollers)



Pins made of acetal	Pins made of stainless steel AISI 304
Code	Code
355 / 83473	355 / 84557

**NEW**

**MATERIALS:** Metal profile in anodized aluminium; rollers in grey polyamide; support pins in white acetal or in stainless steel AISI 304.

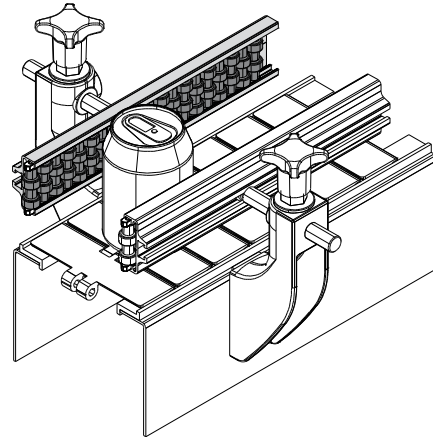
**FEATURES:** Supplied already assembled, in bars of 3 meters length. Min. curvature radius: 250 mm.

**BOX QUANTITY:** 2 bars of 3 meters (total 6 meters).

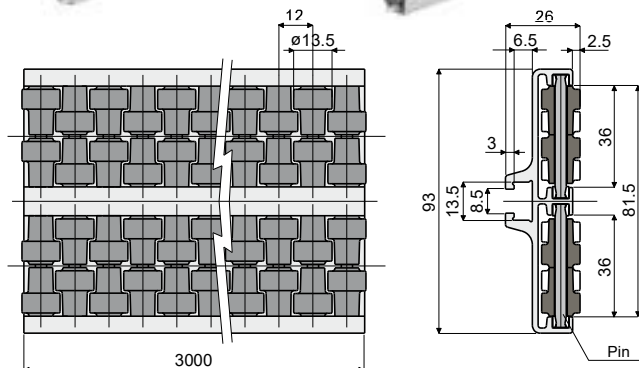
**ON REQUEST:**

- Roller side guide: Other colours.

Example of application



## Part. 356 Roller side guide (double type, with round rollers)



Pins made of acetal	Pins made of stainless steel AISI 304
Code	Code
356 / 83474	356 / 84558

**NEW**

**MATERIALS:** Metal profile in anodized aluminium; rollers in grey polyamide; support pins in white acetal or in stainless steel AISI 304.

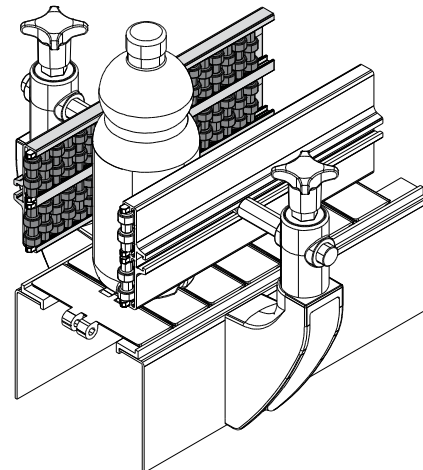
**FEATURES:** Supplied already assembled, in bars of 3 meters length. Min. curvature radius: 500 mm.

**BOX QUANTITY:** 2 bars of 3 meters (total 6 meters).

**ON REQUEST:**

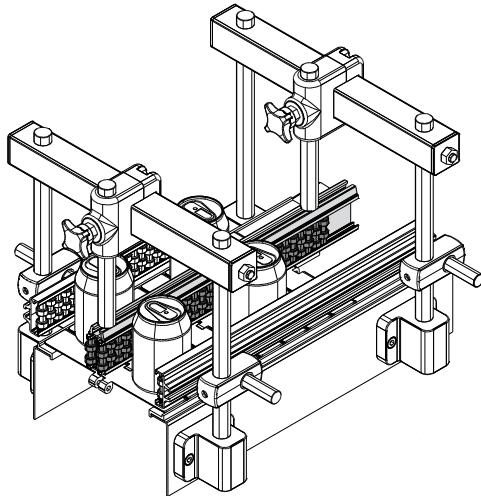
- Roller side guide: Other colours.

Example of application

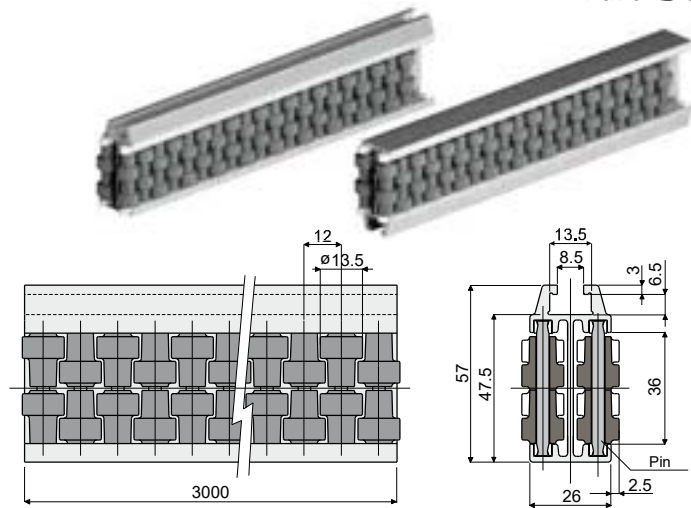


# Product guides and accessories

Example of application



## Roller central guide (single type, with round rollers) Part. 357



Pins made of acetal	Pins made of stainless steel AISI 304
Code	Code
357 / 83475	357 / 84559

**NEW**

**MATERIALS:** Metal profile in anodized aluminium; rollers in grey polyamide; support pins in white acetal or in stainless steel AISI 304.

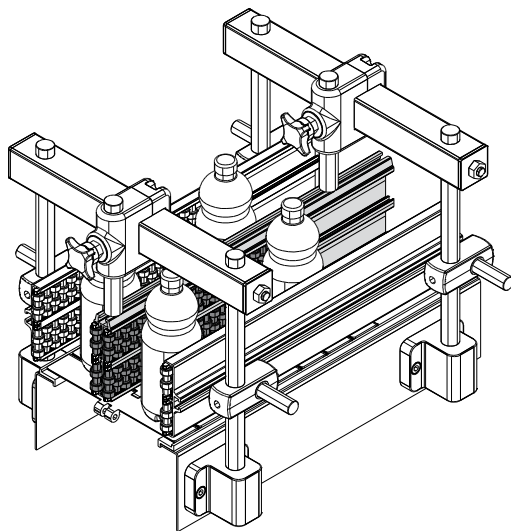
**FEATURES:** Supplied already assembled, in bars of 3 meters length.  
Min. curvature radius: 500 mm.

**BOX QUANTITY:** 2 bars of 3 meters (total 6 meters).

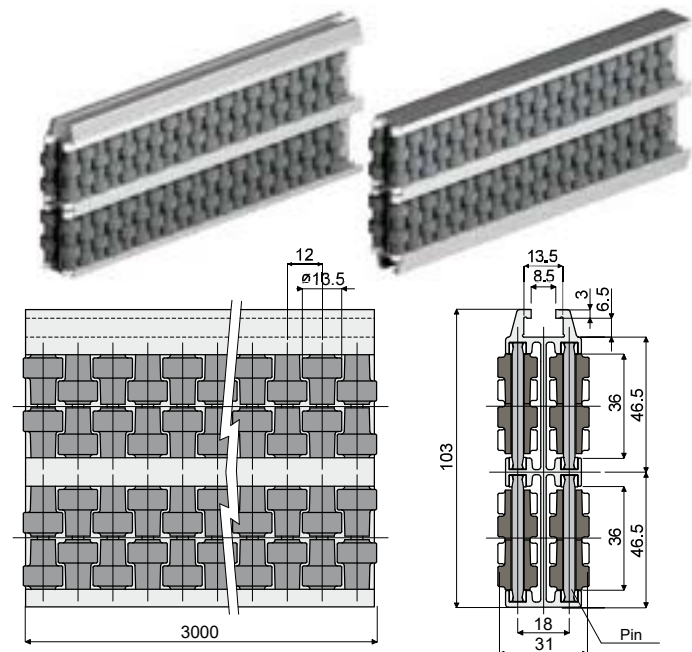
**ON REQUEST:**

- Roller side guide: Other colours.

Example of application



## Roller central guide (double type, with round rollers) Part. 358



Pins made of acetal	Pins made of stainless steel AISI 304
Code	Code
358 / 83476	358 / 84560

**NEW**

**MATERIALS:** Metal profile in anodized aluminium; rollers in grey polyamide; support pins in white acetal or in stainless steel AISI 304.

**FEATURES:** Supplied already assembled, in bars of 3 meters length.  
Min. curvature radius: 750 mm.

**BOX QUANTITY:** 2 bars of 3 meters (total 6 meters).

**ON REQUEST:**

- Roller side guide: Other colours.