

M138



HANDLE WITH THREADED HOLE

Material:

Reinforced polyamide.
Oils and greases resistant.

Surface:

Satin.

Colour:

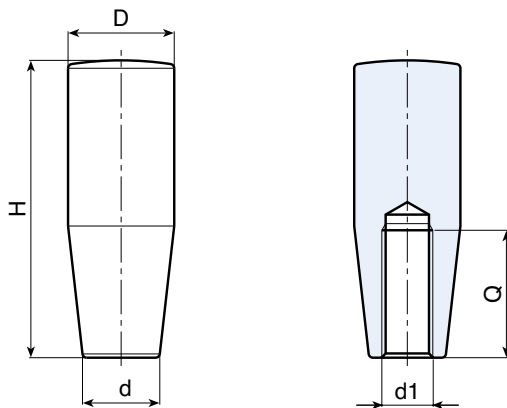
Black (RAL 9011).

Hole:

Female threaded blind hole obtained by moulding the plastic. (tolerance in not applicable).

SPECIAL REQUEST:

- It is possible to supply colours as shown in the table at pag. M-29, on request and for quantities.



M

	art.	H	D	d	d1	Q	⚖ g
●	M13827.TM0401	27	14	10	M04	20	6
●	M13827.TM0501	27	14	10	M05	20	5
●	M13827.TM0601	27	14	10	M06	20	5
●	M13840.TM0501	40	18	16	M05	20	10
●	M13840.TM0601	40	18	16	M06	27	10
●	M13840.TM0801	40	18	16	M08	27	10
●	M13850.TM0601	50	20	15	M06	24	16
●	M13850.TM0801	50	20	15	M08	25	14
●	M13850.TM1001	50	20	15	M10	25	14
●	M13860.TM0801	60	23	18	M08	30	24
●	M13860.TM1001	60	23	18	M10	30	24
●	M13860.TM1201	60	23	18	M12	29	22
●	M13870.TM0801	70	25	19	M08	30	34
●	M13870.TM1001	70	25	19	M10	30	32
●	M13870.TM1201	70	25	19	M12	31	28
●	M13880.TM0801	80	26	21	M08	31	40
●	M13880.TM1001	80	26	21	M10	31	38
●	M13880.TM1201	80	26	21	M12	30	36
●	M13880.TM1401	80	26	21	M14	40	34
●	M13890.TM0801	90	27	22	M08	30	58
●	M13890.TM1001	90	27	22	M10	31	54
●	M13890.TM1201	90	27	22	M12	37	50
●	M13890.TM1401	90	27	22	M14	40	46
●	M138110.TM1001	109	32	27	M10	31	105
●	M138110.TM1201	109	32	27	M12	50	104
●	M138110.TM1401	109	32	27	M14	50	100