

F177



SOLID 6 LOBE HANDWHEEL WITH RIGHT THROUGH FEMALE THREADED INSERT

Material:
Reinforced polyamide.
Oils and greases resistant.

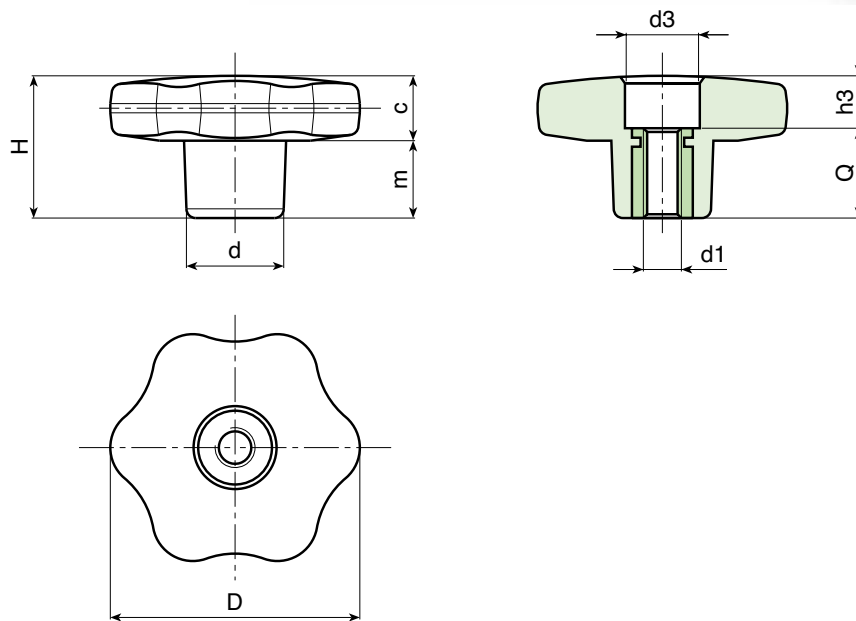
Surface:
Satin.

Colour:
Black (RAL 9011).

Main Insert:
Brass right through threaded bush (tolerance 6H).

SPECIAL REQUEST:

- It is possible to supply the inserts in different materials, on request and for quantities.
- It is possible to supply colours as shown in the table at pag. F-45, on request and for quantities.



	Art.	D	H	d	c	m	d3	h3	d1 6H	Q	Δ g
●	F17730.TM0501	30	22	15	11	11	11	4	M05	18	12
●	F17730.TM0601	30	22	15	11	11	11	4	M06	18	13
●	F17730.TM0801	30	22	15	11	11	11	4	M08	18	13
●	F17730.TM1001	30	22	15	11	11	11	4	M10	18	14
●	F17740.TM0601	40	24,5	17	12	12,5	12	6	M06	18	20
●	F17740.TM0801	40	24,5	17	12	12,5	12	6	M08	18	21
●	F17740.TM1001	40	24,5	17	12	12,5	12	6	M10	18	22
●	F17750.TM0601	50	29	20	14	15	14	11	M06	18	33
●	F17750.TM0801	50	29	20	14	15	14	11	M08	18	34
●	F17750.TM1001	50	29	20	14	15	14	11	M10	18	35
●	F17750.TM1201	50	29	20	14	15	14	11	M12	18	35
●	F17760.TM0801	60	34	24	16	18	15	16	M08	18	54
●	F17760.TM1001	60	34	24	16	18	15	16	M10	18	55
●	F17760.TM1201	60	34	24	16	18	15	16	M12	18	55
●	F17760.TM1401	60	34	24	16	18	15	16	M14	18	56