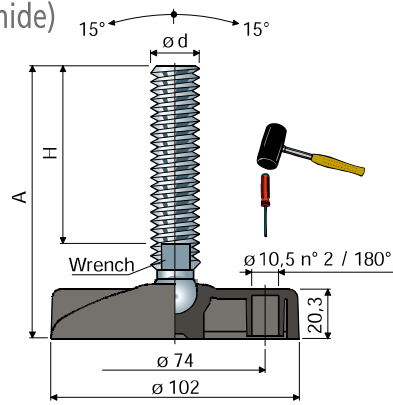


Articulated feet

(base in reinforced polyamide)



Ø 102 Part. 38

| Spindle measures in mm | | | | Spindle material | | | |
|------------------------|-----|-----|--------|---------------------------|----------------------------------|----------------------------------|------------------------|
| ød | A | H | Wrench | Zinc plated steel Code | Stainless steel AISI 304 Code | Stainless steel AISI 316 Code | Max static load (N) |
| M12 | 79 | 43 | 10 | 38 / 83166 | 38 / 83167 | - | 15000 |
| | 99 | 63 | 10 | 38 / 83168 | 38 / 83169 | - | |
| | 114 | 78 | 10 | 38 / 83170 | 38 / 83171 | - | |
| | 129 | 93 | 10 | 38 / 83172 | 38 / 83173 | 38 / 85127 NEW | |
| | 159 | 123 | 10 | 38 / 83174 | 38 / 83175 | - | |
| M14 | 99 | 61 | 12 | 38 / 83176 | 38 / 83177 | - | 18000 |
| | 129 | 91 | 12 | 38 / 83178 | 38 / 83179 | - | |
| | 154 | 116 | 12 | 38 / 83180 | 38 / 83181 | - | |
| M16 | 100 | 60 | 13 | 38 / 7110 | 38 / 7111 | 38 / 85128 NEW | 22000 |
| | 130 | 90 | 13 | 38 / 7474 | 38 / 7475 | - | |
| | 145 | 105 | 13 | 38 / 7112 | 38 / 7113 | - | |
| | 165 | 125 | 13 | 38 / 7114 | 38 / 7115 | 38 / 85129 NEW | |
| | 195 | 155 | 13 | 38 / 7476 | 38 / 7477 | - | |
| | 205 | 165 | 13 | 38 / 7116 | 38 / 7117 | - | |
| | 245 | 205 | 13 | 38 / 83182 | 38 / 83183 | - | |
| M20 | 130 | 86 | 17 | 38 / 7118 | 38 / 7119 | - | 24000 |
| | 160 | 116 | 17 | 38 / 7120 | 38 / 7121 | - | |
| | 185 | 141 | 17 | 38 / 7122 | 38 / 7123 | 38 / 85130 NEW | |
| | 250 | 206 | 17 | 38 / 7124 | 38 / 7125 | - | |
| M24 | 140 | 96 | 19 | 38 / 7478 | 38 / 7479 | - | 26000 |
| | 166 | 122 | 19 | 38 / 7126 | 38 / 7127 | - | |
| | 196 | 152 | 19 | 38 / 7128 | 38 / 7129 | - | |
| | 226 | 182 | 19 | 38 / 7130 | 38 / 7131 | - | |
| | 344 | 300 | 19 | 38 / 7484 | 38 / 7485 | - | |

| Spindle measures in inches | | | | Spindle material | | Max static load (N) |
|----------------------------|-------|----|--------|---------------------------|----------------------------------|------------------------|
| ød | A | H | Wrench | Zinc plated steel Code | Stainless steel AISI 304 Code | |
| 1/2" -13 UNC | 5,44" | 4" | 7/16" | 38 / 83288 | 38 / 83289 | 15000 |
| 5/8" -11 UNC | 8,57" | 7" | 1/2" | 38 / 83290 | 38 / 83291 | 22000 |
| 3/4" -10 UNC | 8,65" | 7" | 5/8" | 38 / 83292 | 38 / 83293 | 24000 |

Base material: Reinforced polyamide black colour.

Box quantity: 24 pieces.

Accessories

Anti-slip pads:

- code: 7267;

- material: thermoplastic rubber 68 Shore black colour;

- box quantity: 24 pieces.



Washers UNI 6592-69 - Box quantity: 24 pieces.

| øM | M12 | M14 | M16 | M20 | M24 |
|-------------------------|------|------|------|------|------|
| Smm | 2,5 | 2,5 | 3 | 3 | 4 |
| ø A mm | 24 | 28 | 30 | 37 | 44 |
| Zinc plated steel codes | 7284 | 7285 | 7289 | 7290 | 7293 |
| Stainless steel codes | 7287 | 7288 | 7291 | 7292 | 7294 |

Nuts UNI 5588-65 - Box quantity: 24 pieces.

| ød | M12 | M14 | M16 | M20 | M24 |
|-------------------------|------|------|------|------|------|
| Smm | 10 | 11 | 13 | 16 | 19 |
| Ch. mm | 19 | 22 | 24 | 30 | 36 |
| Zinc plated steel codes | 7270 | 7271 | 7275 | 7276 | 7279 |
| Stainless steel codes | 7273 | 7274 | 7277 | 7278 | 7280 |

On request

- Bases: In reinforced polypropylene • other colours • with prebored fixing holes.
- Spindles with: Sunk hexagon head • second wrench seat head • hexagon wrench seat • threads with other pitches and lengths.
- Box quantity: Not standard.
- Assembling of: Anti-slip pads • nuts • washers.