

L748



28MM. WINGNUT WITH FEMALE RIGHT THROUGH THREADED INSERT

Material:

Reinforced polyamide.
Oils and greases resistant.

Surface:

Satin.

Colour:

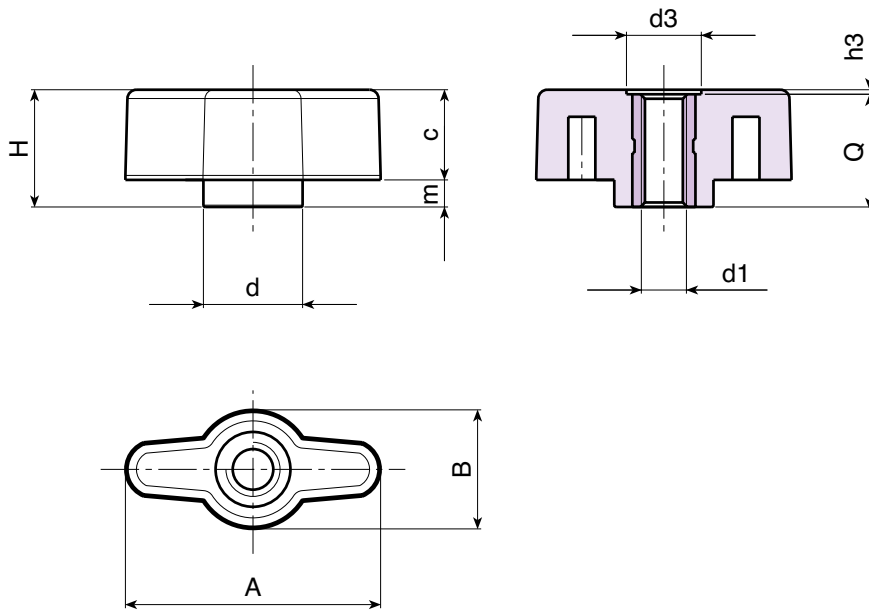
Black (RAL 9011).

Main Insert:

Brass right through threaded bush (tolerance 6H).

SPECIAL REQUEST:

- It is possible to supply the inserts in different materials, on request and for quantities.
- It is possible to supply colours as shown in the table at pag. L-31, on request and for quantities.



	Art.	A	B	H	m	c	d	d3	h3	d1 6H	Q	Δ g
●	L74828.TM0401	28	13	13	3	10	11	8	0,5	M04	12,5	5
●	L74828.TM0501	28	13	13	3	10	11	8	0,5	M05	12,5	5
●	L74828.TM0601	28	13	13	3	10	11	8	0,5	M06	12,5	6