

# L270

## T-HANDLE WITH FEMALE THREADED INSERT

**Material:**  
Reinforced polyamide.  
Oils and greases resistant.

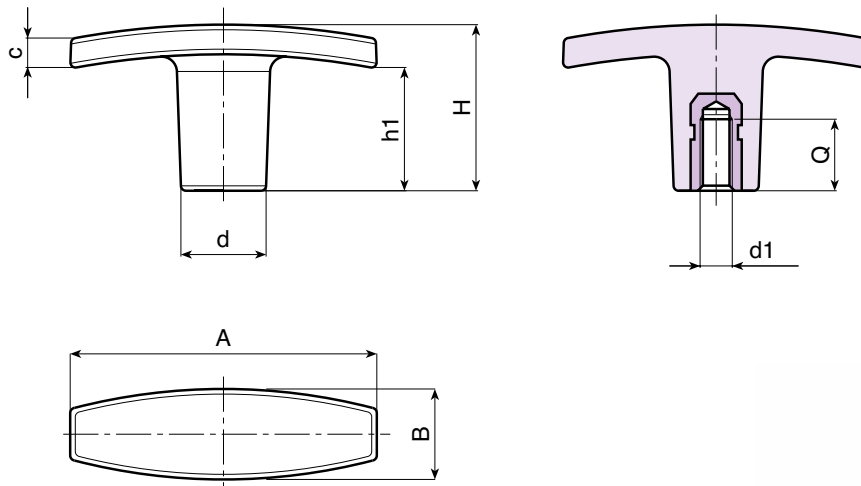
**Surface:**  
Satin.

**Colour:**  
Black (RAL 9011).

**Main Insert:**  
Brass blind threaded bush (tolerance 6H).

### SPECIAL REQUEST:

- It is possible to supply the inserts in different materials, on request and for quantities.
- It is possible to supply colours as shown in the table at pag. L-31, on request and for quantities.



Version L270-01 colour black (RAL 9001 code 01)

Art.	A	B	H	h1	c	d	d1 6H	Q	$\Delta_g$	F1 (N)
L27050.TM0501	50	15	24	17	5	14	M05	12	13	4100
L27050.TM0601	50	15	24	17	5	14	M06	10	11	4100
L27050.TM0801	50	15	24	17	5	14	M08	14	12	4100
L27060.TM0501	60	18	33	24	6	16,5	M05	12	19	5800
L27060.TM0601	60	18	33	24	6	16,5	M06	10	16,5	5800
L27060.TM0801	60	18	33	24	6	16,5	M08	14	17,5	5800
L27060.TM1001	60	18	33	24	6	16,5	M10	21	21	5800
L27072.TM0601	72	19	34	20	10	18	M06	15	25	6500
L27072.TM0801	72	19	34	20	10	18	M08	20	28	6500
L27072.TM1001	72	19	34	20	10	18	M10	21	30	6500
L27072.TM1201	72	19	34	20	10	18	M12	17	30	6500



Version L270-02, **Orange** color (RAL 2004 cod. 02)

	Art.	A	B	H	h1	c	d	d1 6H	Q	g	F1 (N)
●	L27050.TM0602	50	15	24	17	5	14	M06	10	11	4100
●	L27060.TM0802	60	18	33	24	6	16,5	M08	14	17,5	5800
●	L27072.TM1002	72	19	34	20	10	18	M10	21	30	6500

Version L270-16, **red** color (RAL 3000 cod. 16)

	Art.	A	B	H	h1	c	d	d1 6H	Q	g	F1 (N)
●	L27050.TM0516	50	15	24	17	5	14	M05	12	13	4100
●	L27050.TM0616	50	15	24	17	5	14	M06	10	11	4100
●	L27060.TM0816	60	18	33	24	6	16,5	M08	14	17,5	5800
●	L27072.TM1016	72	19	34	20	10	18	M10	21	30	6500