

H767



KNURLED HOLLOWED HANDWHEEL WITH THREADED FEMALE INSERT

Material:
Reinforced polyamide.
Oils and greases resistant.

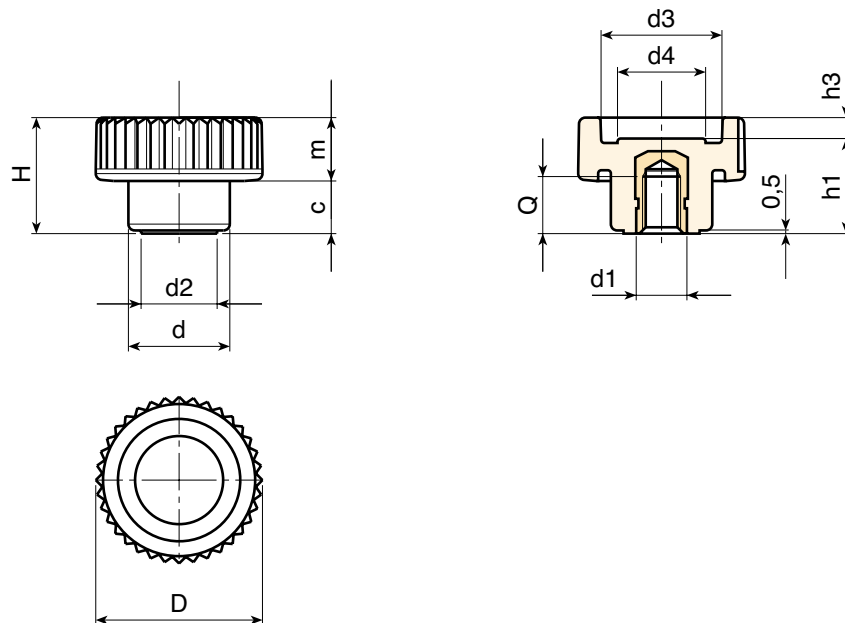
Surface:
Satin.

Colour:
Black (RAL 9011).

Main Insert:
Brass blind threaded bush (tolerance 6H).

SPECIAL REQUEST:

- It is possible to supply the inserts in different materials, on request and for quantities.
- It is possible to supply colours as shown in the table at pag. H-23, on request and for quantities.



	art.	D	H	d	m	c	d2	d3	d4	h1	h3	d1 6H	Q	Δ g
●	H76721.TM0501	21	15	13	6,5	8,5	9,5	15	10,5	12,5	2,5	M05	7	5,5
●	H76721.TM0601	21	15	13	6,5	8,5	9,5	15	10,5	12,5	2,5	M06	7	6
●	H76726.TM0601	26	18	16	8,5	9,5	12	19	13	15	3	M06	9	8
●	H76726.TM0801	26	18	16	8,5	9,5	12	19	13	15	3	M08	8	8,5
●	H76733.TM0801	32	23	20	10,5	12,5	15	23	16	18	5	M08	11	15,5
●	H76733.TM1001	32	23	20	10,5	12,5	15	23	16	18	5	M10	10	16
●	H76740.TM0801	40	28	25	12,5	15,5	18	28	21	22	6	M08	14	27
●	H76740.TM1001	40	28	25	12,5	15,5	18	28	21	22	6	M10	14	28
●	H76740.TM1201	40	28	25	12,5	15,5	18	28	21	22	6	M12	12	29