

D206

D209 - D210
D211 - D-BASE

2 SPOKE CONTROL HANDWHEEL WITH REVOLVING HANDLE

Material:

Reinforced and stabilised polyamide.
Oils and greases resistant.

Surface: Satin.

Colour: Black (RAL 9011).

Central Cap:

Grey polyamide (RAL 7035 cod. 13).

Alternative Cap Colour:

- Orange (RAL 2004 cod. 02)
- Blue (RAL 5015 cod. 07)
- Yellow (RAL 1021 cod. 10)
- Red (RAL 3000 cod. 16)
- Green (RAL 6024 cod. 17)
- Black (RAL 9011 cod. 01)

Main Insert:

Zinc plated steel insert with smooth through-hole (H10 tolerance).

Side Insert:

Brass right through threaded bush.

Side handle:

Revolving handle M144 (pag. M-08).

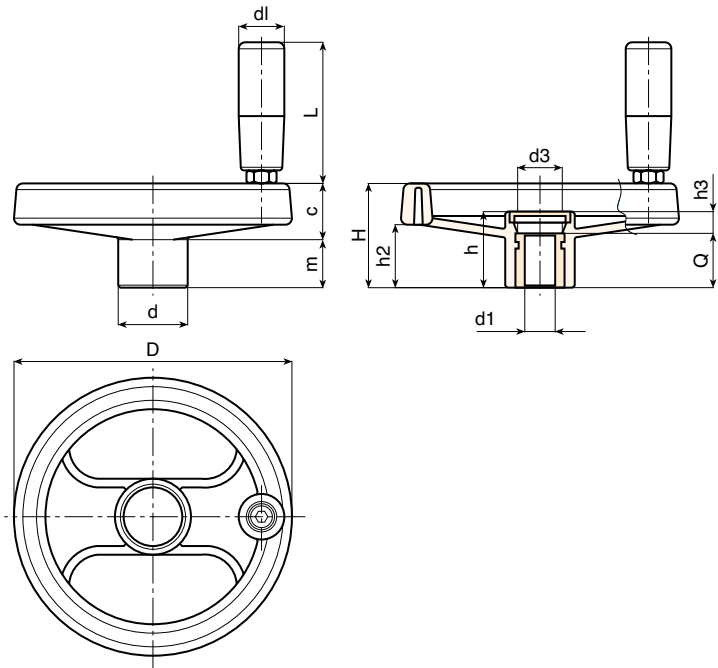
Hub:

Solid hub.
(*) Hollow underneath hub.

For fixing system, or execution of keyway or square holes, please refer to the technical notes attached to the catalogue.

SPECIAL REQUEST:

- It's possible to supply the inserts with d1 bore by customer design, on request and for quantities.
- It's possible to supply the inserts in different material and treatment-finishes, on request and for quantities.
- It's possible to supply the products with colours (reduced range) as shown in the table at page D-19, on request and for quantities.



Version with zinc plated insert and H10 tolerance bore

	Art.	D	H	h	d	m	c	h2	h3	d3	dl	L	Dm	d1 H10	Q	g
●	D206080.TP0501P	80	34	26	24,5	16	18	20	6	16	20	56	12	05	20	125
●	D206080.TD0801P	80	34	26	24,5	16	18	20	6	16	20	56	12	08	20	122
●	D206080.TP1001P	80	34	26	24,5	16	18	20	6	16	20	56	12	10	20	119
●	D206100.TP0501P	99	43	33	28	20	23	26,5	9	16	20	56	16	05	24	182
●	D206100.TD0801P	99	43	33	28	20	23	26,5	9	16	20	56	16	08	24	182
●	D206100.TD1001P	99	43	33	28	20	23	26,5	9	16	20	56	16	10	24	179
●	D206100.TD1201P	99	43	33	28	20	23	26,5	9	16	20	56	16	12	24	177
●	D206130.TP0501P	129	50	36	32	21	29	32	12	26	21	65	18	05	24	296
●	D206130.TD0801P	129	50	36	32	21	29	32	12	26	21	65	18	08	24	293
●	D206130.TD1001P	129	50	36	32	21	29	32	12	26	21	65	18	10	24	291
●	D206130.TD1201P	129	50	36	32	21	29	32	12	26	21	65	18	12	24	289
●	D206160.TD0801P	159	57	40,5	40	22	35	34	8,5	26	23	76	22	08	32	458
●	D206160.TD1401P	159	57	40,5	40	22	35	34	8,5	26	23	76	22	14	32	450
●	D206160.TD2001P	159	57	40,5	40	22	35	34	8,5	26	23	76	22	20	32	446
●	D206200.TD0801P	198	61,5	39,5	51	17,5	44	33	7,5	26	23	76	22	(*) 08	32	700
●	D206200.TD1601P	198	61,5	39,5	51	17,5	44	33	7,5	26	23	76	22	(*) 16	32	690
●	D206200.TD2001P	198	61,5	39,5	51	17,5	44	33	7,5	26	23	76	22	(*) 20	32	685
●	D206250.TD0801P	252	70	47	55,5	24	46	39	11	24	25	86	28	(*) 08	36	1030
●	D206250.TD2001P	252	70	47	55,5	24	46	39	11	24	25	86	28	(*) 20	36	1015
●	D206350.TD0801P	346	80	49,5	67,5	24	56	43,5	17,5	35	25	86	30	(*)(+) 08	32	1640

Attention: replace the two places in the code .. with the hole diameter required - 50 pieces minimum.

Dm = It's possible to increase the hole, by boring, until Dm (enlarge).

A.R. = By request

D209



2 SPOKE CONTROL HANDWHEEL WITH REVOLVING HANDLE M145

Art.	D	dl	L	d1 H10	g
D209080.TP0501P	80	20	55	05	126
D209100.TP0501P	99	20	55	05	185
D209130.TD0501P	129	23	66	05	314
D209160.TD0801P	159	25	76	08	467
D209200.TD0801P	198	25	87	08	712
D209250.TD0801P	252	25	87	08	1010
D209350.TD0801P	346	25	87	08	1620



Side handle: Revolving handle art. M145 (pag. M-14).

For further details see art. D206

D210

2 SPOKE CONTROL HANDWHEEL WITH REVOLVING HANDLE M129

Art.	D	dl	L	d1 H10	g
D210080.TP0501P	80	20	56	05	145
D210100.TP0501P	99	20	56	05	235
D210130.TD0501P	129	21	65	05	350
D210160.TD0801P	159	21	76	08	610
D210200.TD0801P	198	25	76	08	755
D210250.TD0801P	252	25	87	08	975
D210350.TD0801P	346	25	87	08	1630



Side handle: Revolving handle art. M129 (pag. M-10).

For further details see art. D206

D211

2 SPOKE CONTROL HANDWHEEL WITH REVOLVING HANDLE M202

Art.	D	dl	L	d1 H10	g
D211250.TD0801P	252	40	67	08	975
D211350.TD0801P	346	40	67	08	1630



Side handle: Revolving and folding handle art. M202 (pag M-18).

For further details see art. D206



D-BASE

BASE FOR 2 SPOKE CONTROL HANDWHEEL WITH PROVISION FOR HANDLE

Art.	D	d1 H10	g	Side Handle Thread
D80.TP0501PZ1	80	05	95	M06
D100.TP0501PZ1	99	05	150	M06
D130.TP0501PZ1	129	05	240	M08
D160.TD0801PZ1	159	08	390	M08
D200.TD0801PZ1	198	08	640	M08
D250.TD0801PZ1	252	08	910	M10
D350.TD0801PZ1	346	08	1530	M10



For further details see art. D206

D