

D205



2 SPOKE CONTROL HANDWHEEL

Material:

Reinforced and stabilised polyamide.
Oils and greases resistant.

Surface:

Satin.

Colour:

Black (RAL 9011).

Central Cap:

Grey polyamide (RAL 7035 cod. 13).

Alternative Cap Colour:

- Orange (RAL 2004 cod. 02)
- Blue (RAL 5015 cod. 07)
- Yellow (RAL 1021 cod. 10)
- Red (RAL 3000 cod. 16)
- Green (RAL 6024 cod. 17)
- Black (RAL 9011 cod. 01)

Main Insert:

Zinc plated steel insert with smooth through-hole (H10 tolerance).

Hub:

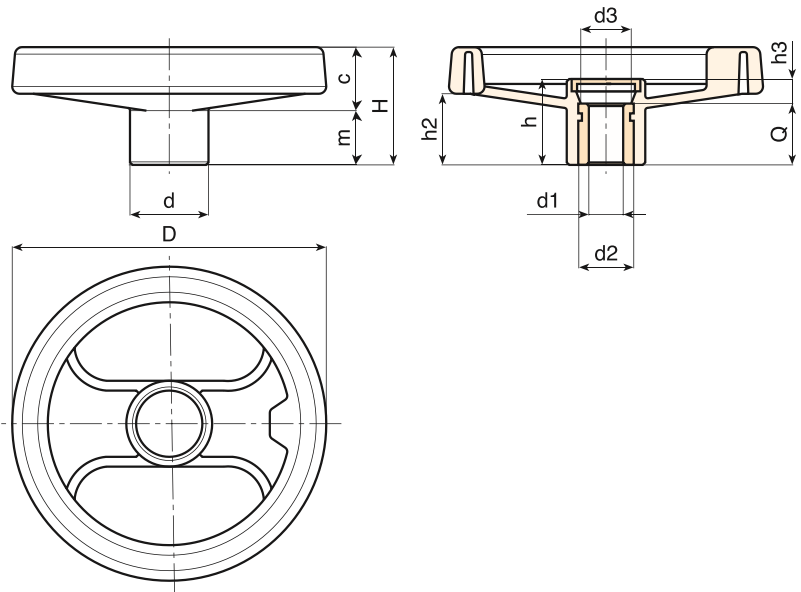
Solid hub.

(*) Hollow underneath hub.

For fixing system, or execution of keyway or square holes, please refer to the technical notes attached to the catalogue.

SPECIAL REQUEST:

- It's possible to supply the inserts with d1 bore by customer design, on request and for quantities.
- It's possible to supply the inserts in different material and treatment-finishes, on request and for quantities.
- It's possible to supply the products with colours (reduced range) as shown in the table at page D-19, on request and for quantities.



Version with zinc plated insert and H10 tolerance bore

	Art.	D	H	h	d	m	c	h2	h3	d3	Dm	d1 H10	Q	g
●	D205080.TP0501P	80	34	26	24,5	16	18	20	6	16	12	05	20	94
●	D205100.TP0501P	99	43	33	28	20	23	26,5	9	16	16	05	24	152
●	D205130.TD0501P	129	50	36	32	21	29	32	12	26	18	05	24	240
●	D205130.TD1201P	129	50	36	32	21	29	32	12	26	18	12	24	235
●	D205130.TD1401P	129	50	36	32	21	29	32	12	26	18	14	24	232
●	D205160.TD0801P	159	57	40,5	40	22	35	34	8,5	26	22	08	32	390
●	D205160.TD1401P	159	57	40,5	40	22	35	34	8,5	26	22	14	32	380
●	D205160.TD1601P	159	57	40,5	40	22	35	34	8,5	26	22	08	32	377
●	D205200.TD0801P	198	61,5	39,5	51	17,5	44	33	7,5	26	22	(*) 08	32	630
●	D205200.TD1001P	198	61,5	39,5	51	17,5	44	33	7,5	26	22	(*) 10	32	628
●	D205200.TD1201P	198	61,5	39,5	51	17,5	44	33	7,5	26	22	(*) 12	32	626
●	D205200.TD2001P	198	61,5	39,5	51	17,5	44	33	7,5	26	22	(*) 20	32	615
●	D205250.TD0801P	252	70	47	55,5	24	46	39	11	24	28	(*) 08	36	920
●	D205250.TD1201P	252	70	47	55,5	24	46	39	11	24	28	(*) 12	36	920
●	D205350.TD0801P	346	80	49,5	67,5	24	56	43,5	17,5	35	30	(*) 08	32	1530

Attention: replace the two places in the code .. with the hole diameter required - 50 pieces minimum.

Dm = It's possible to increase the hole, by boring, until Dm (enlarge).