

B236



SOLID HANDLE WITH THREADED INSERT

Material:
Reinforced polyamide.
Oils and greases resistant.

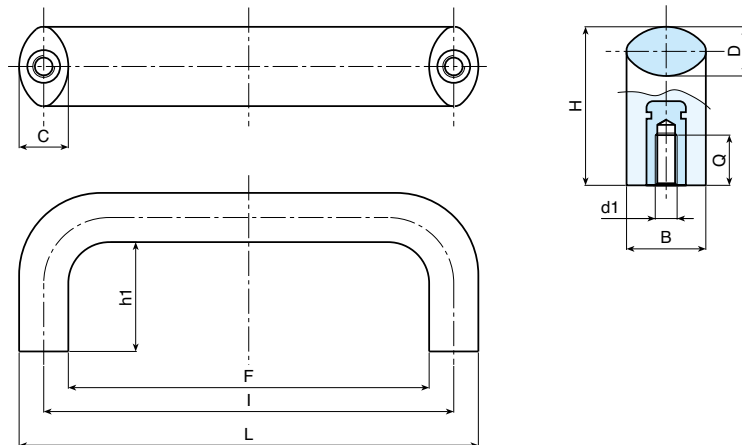
Surface:
Satin.

Colour:
Black (RAL 9011).

Main Insert:
Brass blind threaded bush (tolerance 6H).

SPECIAL REQUEST:

- It is possible to supply the inserts in different materials, on request and for quantities.
- It is possible to supply colours as shown in the table at pag. B-35, on request and for quantities.



| | Art. | L | I | F | B | C | D | H | h1 | Q | d1 | g | F1 (N) | F2 (N) |
|---|----------------|-------|-----|------|----|------|------|----|----|----|-----|-----|--------|--------|
| ● | B236086.TM0501 | 98,5 | 86 | 73,5 | 20 | 12,5 | 12,5 | 40 | 28 | 10 | M05 | 40 | 4000 | 1500 |
| ● | B236086.TM0601 | 98,5 | 86 | 73,5 | 20 | 12,5 | 12,5 | 40 | 28 | 9 | M06 | 40 | 4000 | 1500 |
| ● | B236094.TM0501 | 106,5 | 94 | 81,5 | 20 | 12,5 | 12,5 | 40 | 28 | 10 | M05 | 40 | 3300 | 1600 |
| ● | B236094.TM0601 | 106,5 | 94 | 81,5 | 20 | 12,5 | 12,5 | 40 | 28 | 9 | M06 | 40 | 3300 | 1600 |
| ● | B236117.TM0501 | 134 | 117 | 102 | 25 | 16 | 16 | 50 | 34 | 10 | M05 | 84 | 4400 | 1800 |
| ● | B236117.TM0601 | 134 | 117 | 102 | 25 | 16 | 16 | 50 | 34 | 9 | M06 | 81 | 4400 | 1800 |
| ● | B236117.TM0801 | 134 | 117 | 102 | 25 | 16 | 16 | 50 | 34 | 14 | M08 | 80 | 4400 | 1800 |
| ● | B236120.TM0501 | 134 | 120 | 102 | 25 | 16 | 16 | 50 | 34 | 10 | M05 | 84 | 5200 | 2400 |
| ● | B236120.TM0601 | 134 | 120 | 102 | 25 | 16 | 16 | 50 | 34 | 9 | M06 | 81 | 5200 | 2400 |
| ● | B236120.TM0801 | 134 | 120 | 102 | 25 | 16 | 16 | 50 | 34 | 14 | M08 | 80 | 5200 | 2400 |
| ● | B236132.TM0501 | 148 | 132 | 116 | 25 | 16 | 16 | 50 | 34 | 10 | M05 | 90 | 3700 | 2600 |
| ● | B236132.TM0601 | 148 | 132 | 116 | 25 | 16 | 16 | 50 | 34 | 9 | M06 | 88 | 3700 | 2600 |
| ● | B236132.TM0801 | 148 | 132 | 116 | 25 | 16 | 16 | 50 | 34 | 14 | M08 | 85 | 3700 | 2600 |
| ● | B236150.TM0601 | 168 | 150 | 132 | 29 | 18 | 18 | 58 | 40 | 15 | M06 | 123 | 5900 | 1900 |
| ● | B236150.TM0801 | 168 | 150 | 132 | 29 | 18 | 18 | 58 | 40 | 14 | M08 | 121 | 5900 | 1900 |
| ● | B236150.TM1001 | 168 | 150 | 132 | 29 | 18 | 18 | 58 | 40 | 14 | M10 | 119 | 5900 | 1900 |
| ● | B236179.TM0801 | 197 | 179 | 161 | 29 | 18 | 18 | 58 | 40 | 14 | M08 | 135 | 3800 | 3200 |
| ● | B236179.TM1001 | 197 | 179 | 161 | 29 | 18 | 18 | 58 | 40 | 14 | M10 | 133 | 3800 | 3200 |

Presumable presence in the stock in %

90% ● 40% ● 5% ●