

A592



ZAMAK ALLOY INDEXED CLAMPING LEVER WITH FEMALE THREADED INSERT

Material:

Die cast Zamak lever body (zinc, aluminium, copper alloy).

Surface:

Smooth. Epoxy-powder painting finish.

Lever body colours:

Shiny Black	(RAL 9005 cod. 01)
Matt Black	(RAL 9005 cod. 20)
Orange	(RAL 2004 cod. 02)
Grey	(RAL 7031 cod. 80)
Silver	(RAL 9006 cod. 83)
Red	(RAL 3000 cod. 16)
Blue	(RAL 5015 cod. 07)
Natural Zamak	(cod. GRE)

Main insert:

Black-oxide steel insert, with blind threaded bore. (Thread tolerance 6H).

Fixing screw:

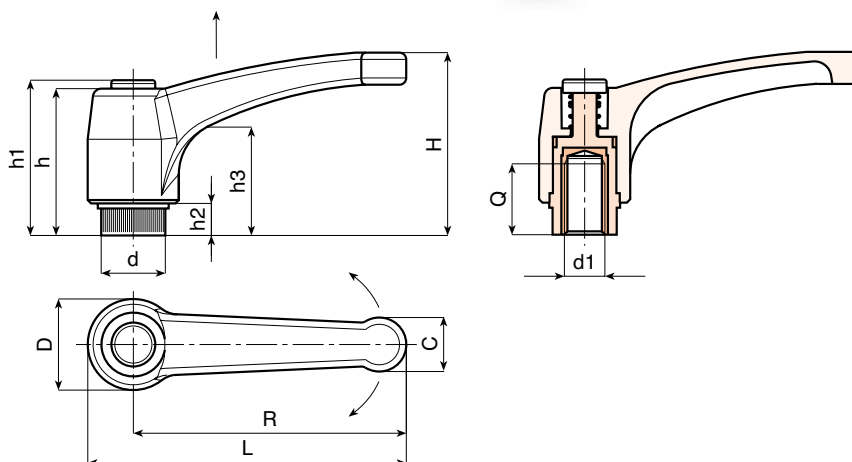
Black-oxide treated steel screw with hexagon socket head.

Spring:

Stainless steel spring (AISI 302).

SPECIAL REQUESTS:

- None.



Art.	L	R	H	D	d	c	h	h1	h2	h3	d1 6H	Q	Δ g
A592043.ZM04..	50	43	30	14	10	9	26	30	5	14	M04	7	30
A592043.ZM05..	50	43	30	14	10	9	26	30	5	14	M05	9	30
A592043.ZM06..	50	43	30	14	10	9	26	30	5	14	M06	9	28
A592065.ZM06..	75	65	45	19	14	13	32	34	7	14	M06	10	76
A592065.ZM08..	75	65	45	19	14	13	32	34	7	14	M08	10	76
A592065.ZM10..	75	65	45	19	14	13	32	34	7	14	M10	9	73
A592080.ZM08..	91	80	57	22	16	16	40	42	8	16	M08	14	134
A592080.ZM10..	91	80	57	22	16	16	40	42	8	16	M10	13	130
A592080.ZM12..	91	80	57	22	16	16	40	42	8	16	M12	12	128
A592094.ZM12..	107	94	65	26	20	18	47	50	10,5	19	M12	17	195
A592094.ZM14..	107	94	65	26	20	18	47	50	10,5	19	M14	17	190
A592094.ZM16..	107	94	65	26	20	18	47	50	10,5	19	M16	17	188
A592108.ZM14..	123	108	75	30	23	20	54	56	12	23	M14	26	298
A592108.ZM16..	123	108	75	30	23	20	54	56	12	23	M16	26	284
A592108.ZM18..	123	108	75	30	23	20	54	56	12	23	M18	25	270

Enter the colour choice in the two .. of the article code. Example: Red lever R80 M10 - A592080.ZM1016